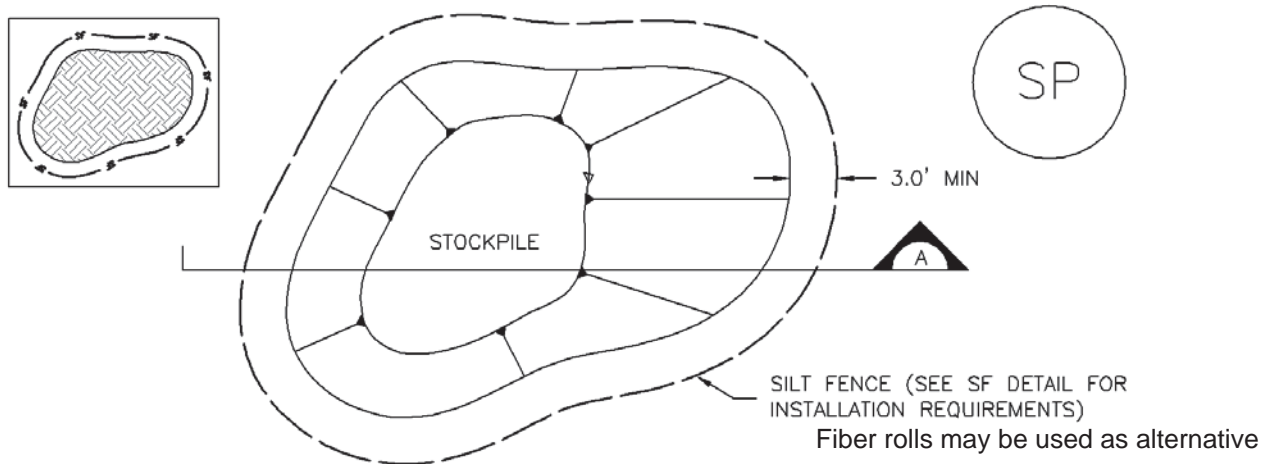
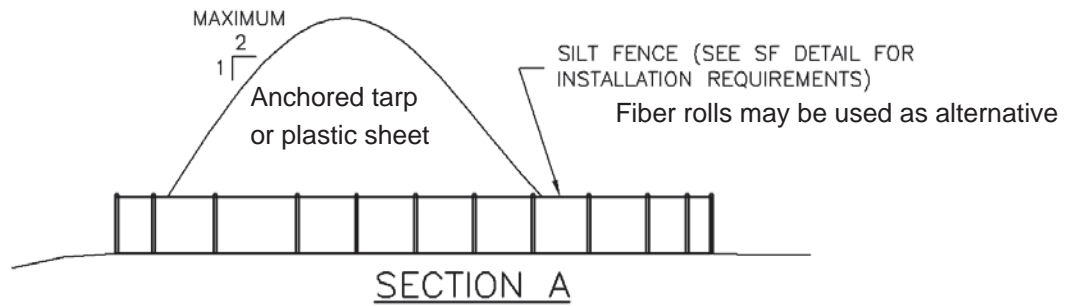


# Stockpile Management (SP)

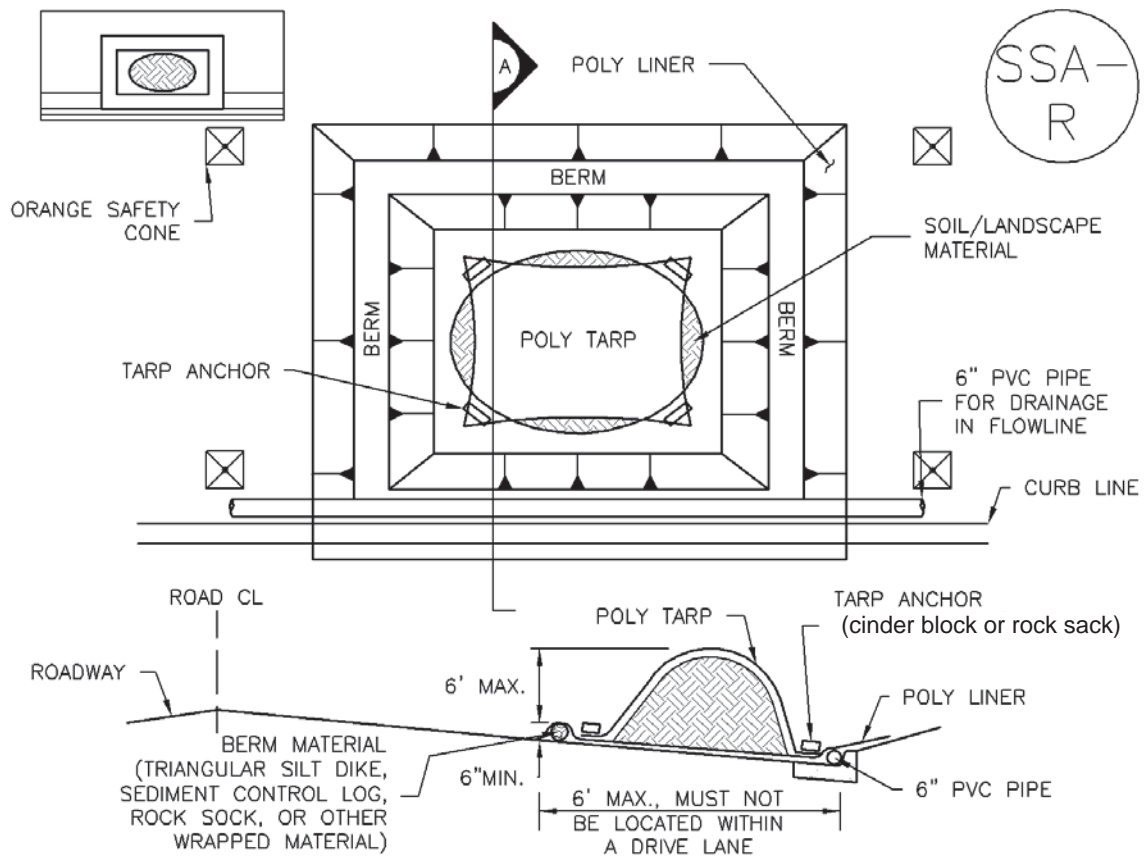


## STOCKPILE PROTECTION PLAN



## SP-1. STOCKPILE PROTECTION

# Stockpile Management (SP)



SP-2. MATERIALS STAGING IN ROADWAY